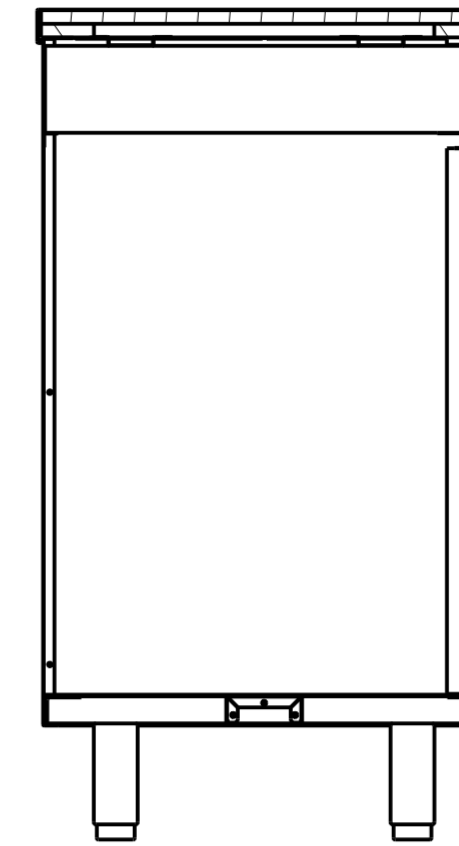
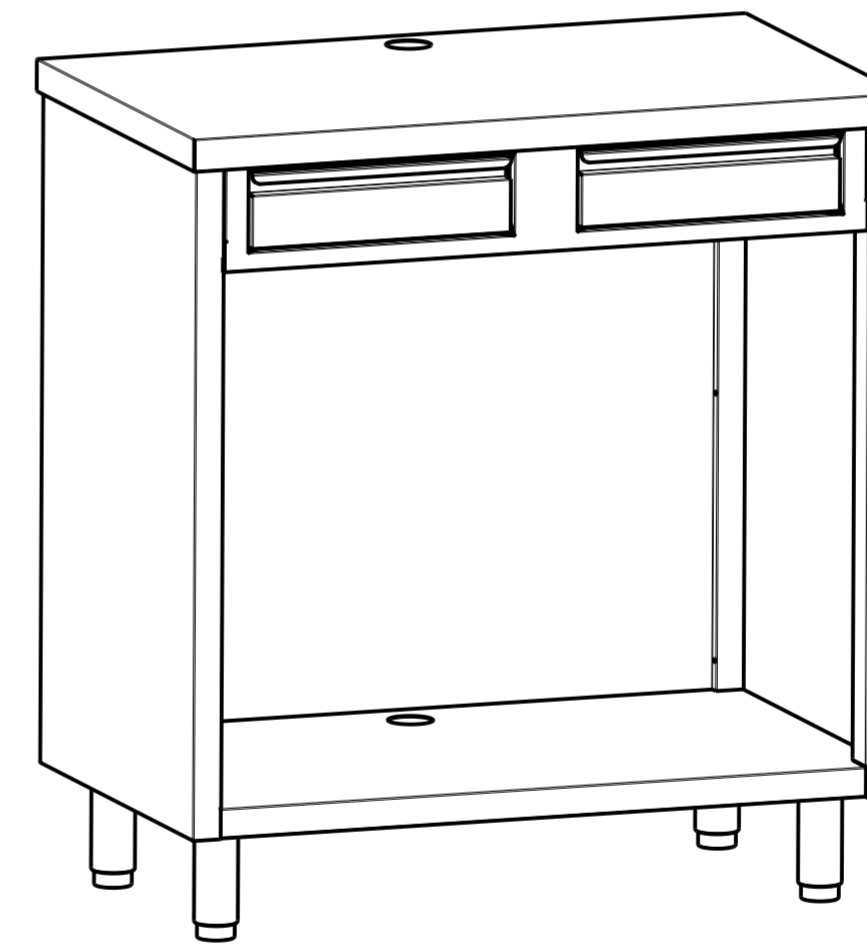


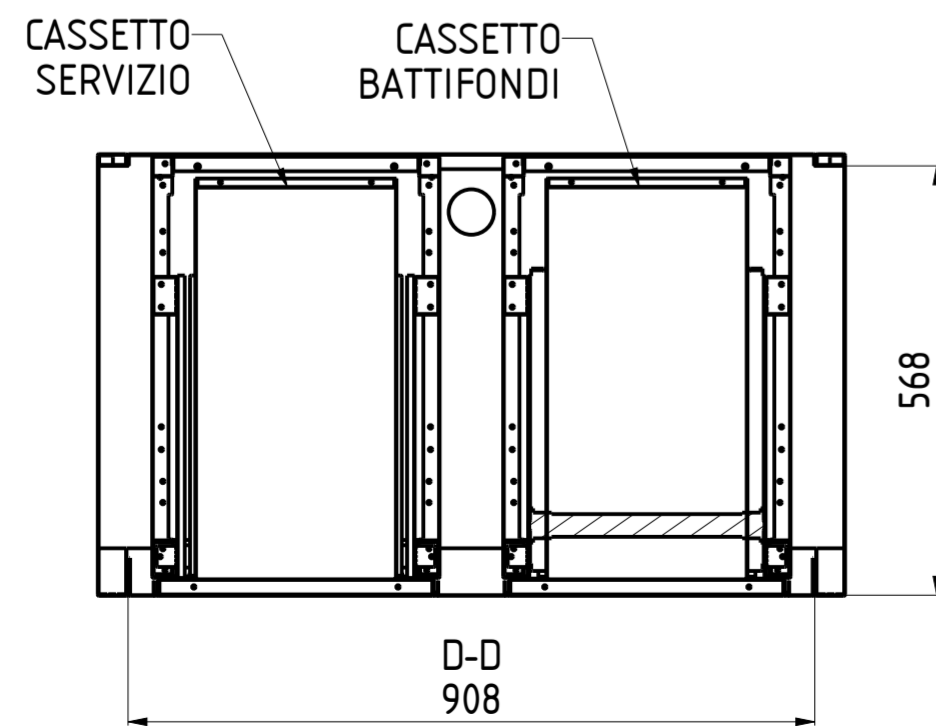
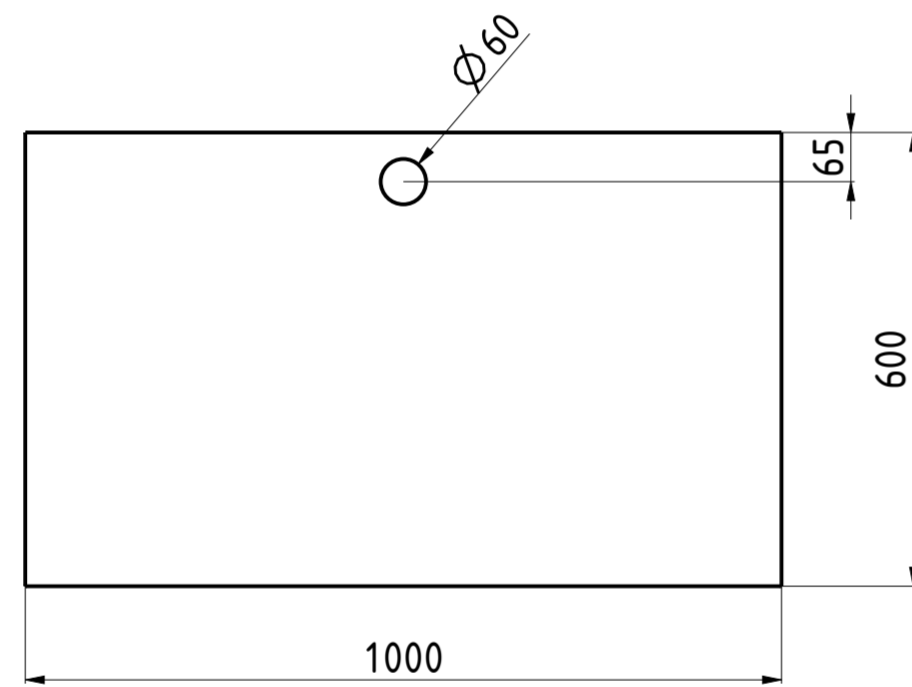
FRONT VIEW 1:10



E-E



FRONT VIEW 1:10



ELABORATO CON SISTEMA CAD  
DESIGNED BY CADSTEM

QUOTA PRIMARIA  
PRIMARY DIMENSION  
XX

ANGOLI  
Angles  
30°

TOLLERANCE UNLESS OTHERWISE STATED

>500	±0.75
400-500	±0.65
315-400	±0.60
250-315	±0.55
180-250	±0.50
120-180	±0.45
80-120	±0.40
50-80	±0.35
30-50	±0.30
18-30	±0.25
10-18	±0.20
5-10	±0.15
0-5	±0.10

LUNGH. E DIAM.  
LENGHT AND DIAM.



**PROJECT Food**®

VIA PIER ENRICO MOTTA n° 50  
15033 - CASALE MONFERRATO (AL)  
W: [www.projectfood.it](http://www.projectfood.it)  
E: [info@projectfood.it](mailto:info@projectfood.it)  
T: 0142578990  
P.IVA: IT02579710068